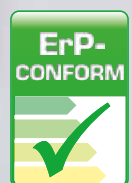






Technical documentation

Comfort domestic ventilation system

CWL Excellent • CWL-T Excellent • CWL-F Excellent



CWL unit options

Type								
		CWL-F-150 Excellent	CWL-F-300 Excellent	CWL-180 Excellent	CWL-300 Excellent	CWL-400 Excellent	CWL-T-300 Excellent	CWL-D-70
max. fan capacity	m ³ /h	150	300	180	300	400	300	70
Installation mode	wall mounting	✓	✓	✓	✓	✓	-	✓
	ceiling mounting	✓	✓	-	-	-	-	-
	Floorstanding	-	-	✓	✓	✓	✓	-
Operation display in unit		-	-	✓	✓	✓	-	✓
Remote control	BM-2	✓	✓	✓	✓	✓	✓	-
	4-stage switch	✓	✓	✓	✓	✓	✓	-
	remote control	✓	✓	✓	✓	✓	✓	-
Bypass	integrated	✓	✓	-	✓	✓	✓	✓
	without	-	-	✓	-	-	-	-
Electrical preheater	integrated	✓	-	-	✓	✓	✓	✓
	Accessory	-	✓	✓	-	-	-	-
Hydr. postheating element	Accessory	-	-	-	-	-	✓	-
Electrical postheating element	Accessory	✓	✓	✓	✓	✓	✓	-
Enthalpy heat exchanger	Accessory	-	✓	-	✓	✓	-	-
Air quality-, humidity- and CO ₂ -sensor	Accessory	✓	✓	✓	✓	✓	✓	✓
Passive house certification		✓	✓	-	✓	✓	✓	applied
DIBt - type approval		✓	✓	-	✓	✓	applied	applied

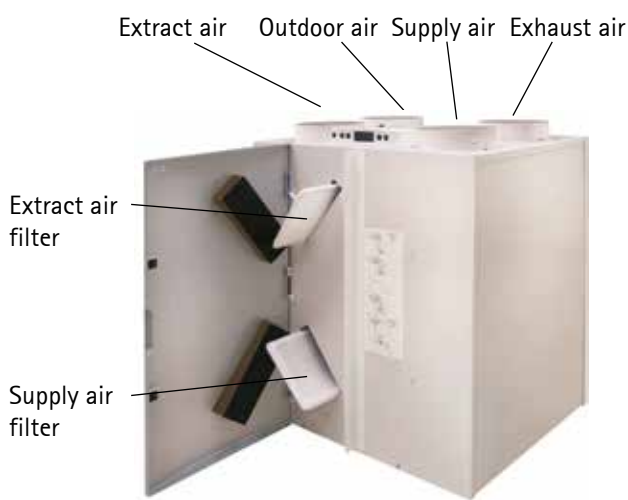
Function

Units with an air flow rate of von 50 – 400 m³/h.

Suitable for detached houses and apartment buildings as well as offices and apartments. The Comfort domestic ventilation system CWL Excellent with heat recovery extracts stale air from the kitchen, bathroom and toilet areas. This air is routed across a cross countercurrent plate-type heat exchanger and is expelled to the outside.

At the same time, fresh outside air is drawn into the system, cleaned by an air filter, heated by the cross countercurrent heat exchanger and routed into the appropriate rooms, such as the living room, bedrooms and children's rooms.

CWL-300/400 Excellent



Benefits of the Wolf Comfort domestic ventilation system

- Clean, pollen-free fresh air – airing with your windows closed, excluding street noise (not only for those suffering from allergies).
- Removable cross countercurrent plate-type heat exchanger made from plastic; up to 95 % heat recovery from extracted stale air.
- One fan each for ventilation and extract air, both variable speed; low energy consumption through DC fans.
- Constant flow fans keep the air flow rate constant at the selected fan speed. This achieves a consistently high efficiency; and adjustments are limited to a minimum.
- The automatic frost stat control offers optimum protection against frost damage.
- Fully wired; filter change requirement indicated at the switch.
- Optional connections as standard available for air quality sensor, humidity sensor, electrical pre- and postheating element.

Design software



- Design software based on DIN 1946-6.
- The exceptional level of user friendliness enables competent, reliable air volume calculation in next to no time.
- In addition, the software provides a complete list of materials, a matching quotation, numerous supplementary information, and a full ventilation concept in accordance with DIN 1946-6.
- Download from www.wolf-heiztechnik.de/downloads

CWL-F-150/300 Excellent

Flat unit

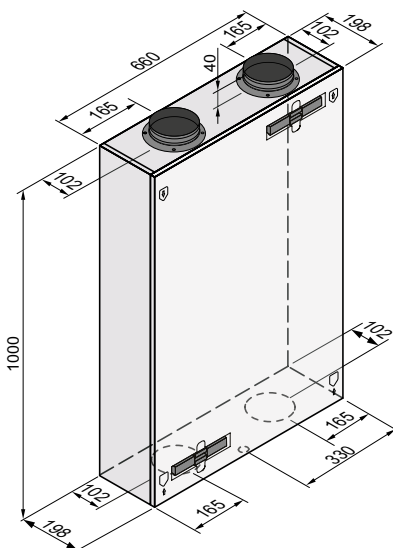


CWL-F-150 Excellent

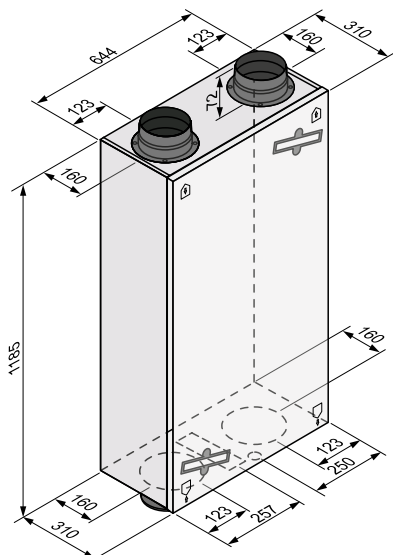
CWL-F-300 Excellent

- Compact, flat design for ceiling and wall mounting
- Bypass as standard
- Filter grade G4 (optional F7)
- CWL-F-150 Excellent includes electrical preheater 375W as standard

Technical data



CWL-F-150 Excellent



CWL-F-300 Excellent

Comfort domestic ventilation system		CWL-F-150 Excellent	CWL-F-300 Excellent
Energy efficiency class		A ¹⁾	A ²⁾
Air flow rate at 150Pa	m ³ /h	max. 150	max. 300
Heat recovery max.	%	95	95
Dimensions	Length	mm	1000
	Width	mm	660
	Height	mm	198
Filter grade	mm	Ø125	Ø160
Power factor		G4 (optional F7)	G4 (optional F7)
Power factor	Cos φ	0.34 - 0.49	0.39 - 0.53
Power consumption	W	11 - 72W	9 - 162W
Power consumption	W	54W (at 125m ³ /h and 100Pa)	66W (at 225m ³ /h and 100Pa)
Weight	kg	24.5	37
Protection	IP	30	30
Electricity supply		230V / 50Hz	230V / 50Hz

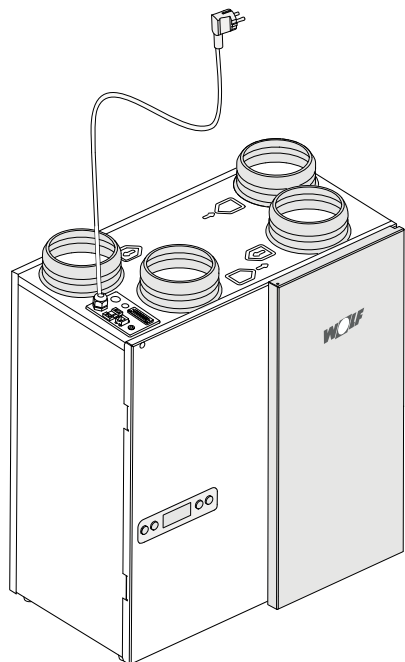
¹⁾ in combination with BM-2

²⁾ A⁺ with minimum two sensors

CWL-180 Excellent

Technical data

Technical data



Comfort domestic ventilation system			CWL-180 Excellent
Energy efficiency class			B¹⁾
Fan capacity at 150 Pa	m ³ /h		max. 180
Heat recovery rate max.	%		95
Dimensions	Length	A mm	600
	Width	B mm	560
	Height	C mm	315
Duct connections	mm		Ø125
Filter grade			G4
Power factor	Cos φ		0.56 - 0.67
Power consumption	W		16 - 132
Power consumption	W		64W (at 150m ³ /h and 100Pa)
Weight	kg		25
Protection	IP		30
Electricity supply			230 V / 50 Hz

¹⁾ A with time switch, with minimum one sensor

Optional connections

To do justice to the varied installation situations, Wolf offers these devices with two different connection options:

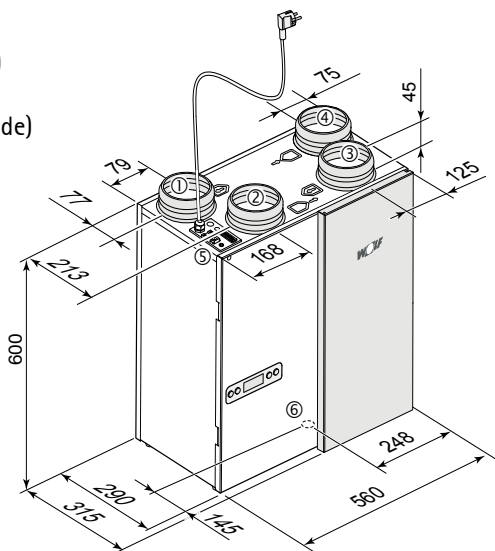
- Right version 4/0
- Left version 4/0

The inspection door for filter service is arranged either on the left or on the right. The connections for ventilation air, expelled air, extract air and outside air are as shown in the diagrams.

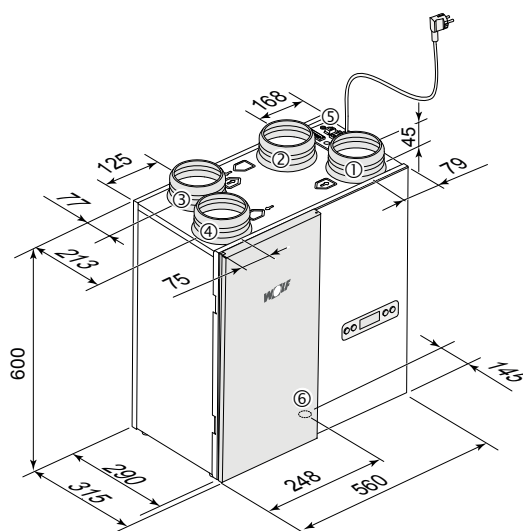
Dimensions

- 1 Supply air (living room)
- 2 Exhaust air (to the outside)
- 3 Extract air (living room)
- 4 Outdoor air (from the outside)
- 5 Electrical connection
- 6 Condensate connection

Right version 4/0



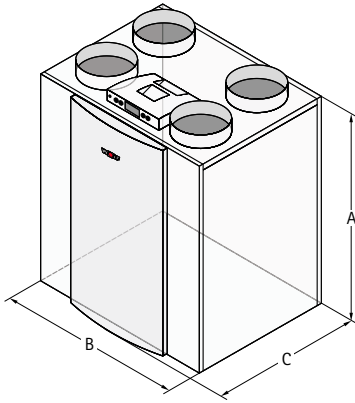
Left version 4/0



CWL-300/400 Excellent

Technical data

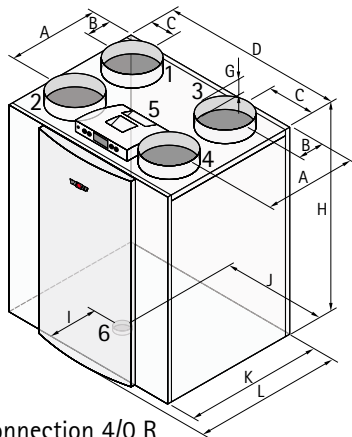
Technical data



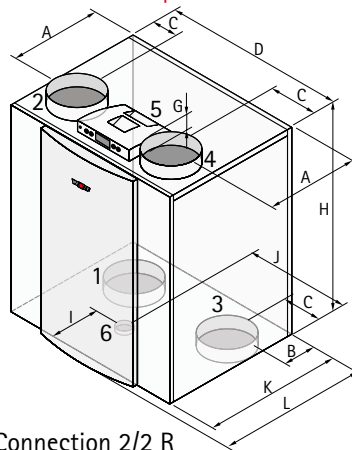
Comfort domestic ventilation system			CWL-300 Excellent	CWL-400 Excellent
Energy efficiency class			A¹⁾	A¹⁾
Fan capacity at 150 Pa	m ³ /h		max. 300	max. 400
Max. heat recovery rate	%		95	95
Dimensions	Length	A mm	765	765
	Width	B mm	677	677
	Height	C mm	564	564
Duct connections	mm		Ø160	Ø180
Filter grade			G4 (F7 as accessory)	G4 (F7 as accessory)
Power factor	Cos φ		0.37 - 0.51	0.38 - 0.61
Power consumption	W		3 - 138	3 - 172
Power consumption	W		58W (at 225m ³ /h and 100Pa)	84W (at 300m ³ /h and 100Pa)
Weight	kg		38	38
Protection	IP		30	30
Electricity supply			230 V / 50 Hz	230 V / 50 Hz

¹⁾ A* with minimum two sensors

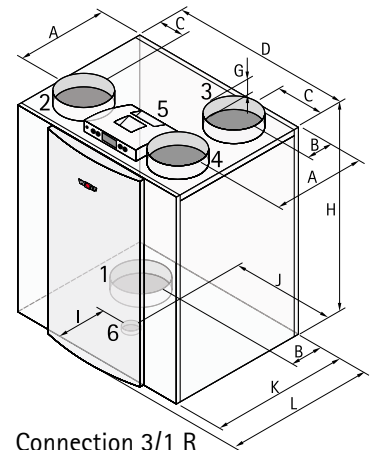
- Bypass as standard
- Includes electrical preheater 1000W as standard



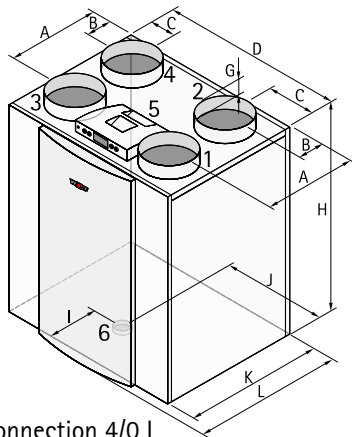
Connection 4/0 R



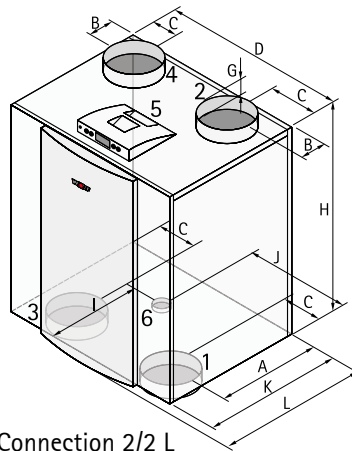
Connection 2/2 R



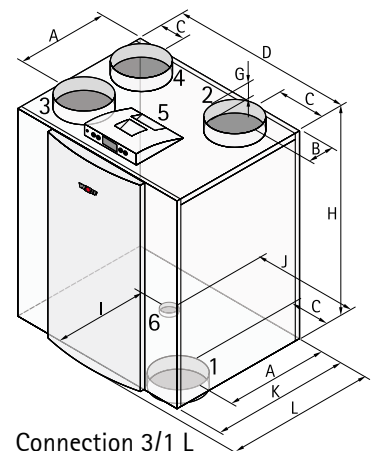
Connection 3/1 R
(only CWL-400 Excellent)



Connection 4/0 L



Connection 2/2 L



Connection 3/1 L
(only CWL-400 Excellent)

- 1 Supply air (living room) 3 Extract air (living room) 5 Electrical connection
 2 Exhaust air (to the outside) 4 Outdoor air (from the outside) 6 Condensate connection

Dimensions

Type	A	B	C	D	G	H	I	J	K	L
CWL-300/400 Excellent R	388	138	138	677	45	765	198	397	526	564
CWL-300/400 Excellent L	388	138	138	677	45	765	328	280	526	564

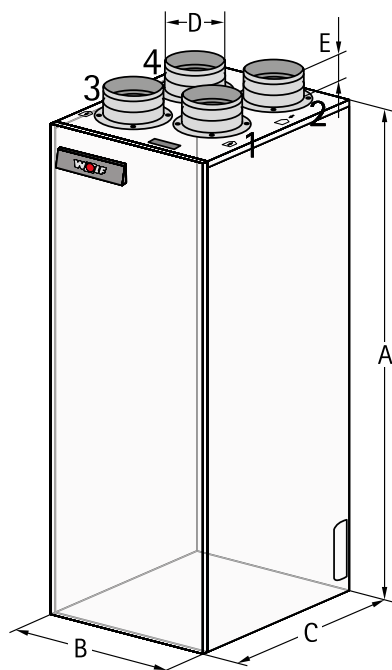
CWL-T-300 Excellent

Technical data



- Removable cross- and countercurrent plate heat exchanger made from plastic; up to 95 % heat recovery from extracted stale air
- Bypass as standard
- Electric 1000 W preheater coil integrated in the appliance
- Category G4 filter, F7 as optional accessory
- Siphon included
- Control unit with BM-2 or BML Excellent programming unit
- The automatic frost stat control offers optimum protection against frost damage
- Fully wired; filter change requirement indicated at the programming unit or at the 4-step switch
- Passive house certificate
- DIBT approval applied for

Technical data



Connection 4/0 L

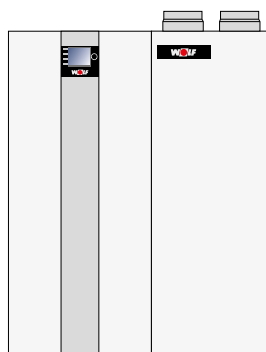
- 1 Supply air (living room)
- 2 Exhaust air (to the outside)
- 3 Extract air (living room)
- 4 Outdoor air (from the outside)

Comfort domestic ventilation system		CWL-T-300
Energy efficiency class		A¹⁾
Fan capacity at 150 Pa	m ³ /h	300
Heat recovery rate max.	%	95
Dimensions	Length	A mm
	Width	B mm
	Height	C mm
Duct connections	D mm	Ø160
Height of duct connector	E mm	78.3
Filter grade		G4 (F7 optional for supply air)
Power factor	Cos φ	0.32 - 0.43
Power consumption	W	10 - 164
Power consumption	W	86W (at 225m ³ /h and 100Pa)
Weight	kg	50
Protection	IP	20
Electricity supply		230 V / 50 Hz

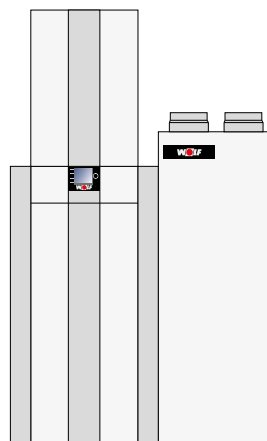
¹⁾ A⁺ with minimum two sensors

Installation options

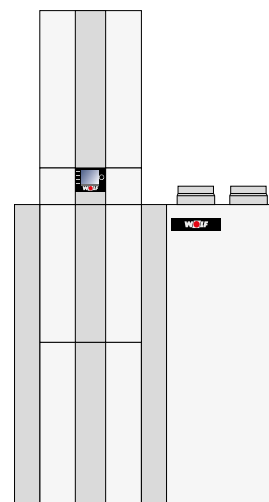
to the right or the left of the heat generator



In conjunction with TOB oil condensing boiler



In conjunction with CGS-2 gas condensing centre



In conjunction with BWL-1S split heat pump

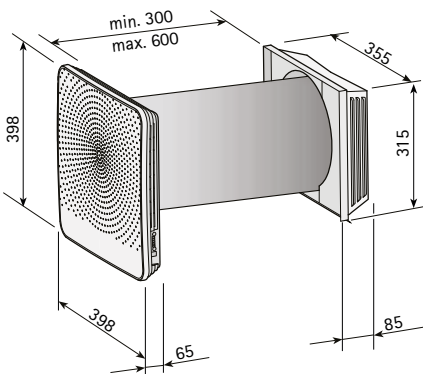
CWL-D-70

Technical data



- Internal panel in white
- External wall hood in white (RAL 9010) or stainless steel
- Clean, pollen-free fresh air - ventilation with your windows closed, cutting out street noise (not only for those suffering from allergies)
- Removable plastic cross- and countercurrent plate heat exchanger
- Heat recovery of at least 80 %
- Bypass as standard
- Automatic frost protection control
- Low energy consumption due to DC fans
- Electric 275 W preheater coil integrated in the appliance
- Category G4 filter, F7 as optional accessory for supply air
- Fully wired; filter change requirement indicated at appliance
- DIBT approval and passive house certificate applied for

Technical data



Comfort domestic ventilation system	CWL-D-70
Energy efficiency class	A
Air handling performance at fan stage m ³ /h 1 / 2 / 3 / 4 / 5	15 / 25 / 40 / 55 / 70
Core hole bore mm	Ø260 (with 3° slope towards the outside)
For wall thickness (incl. accessories) mm	500-600 (300-500)
Appliance connection diameter	250
Filter grade	2x G4 (extract air) & 1x G4 (supply air)
Weight kg	12 (13.5 incl. front cover)
Protection IP	Internal unit IP20 / front cover IPX4
Electricity supply	230 V / 50 Hz

Accessories

- Extension in white (RAL 9010) or stainless steel
Length: 200 mm for wall thickness 300-400 mm
Length: 100 mm for wall thickness 400-500 mm
- Additional PCB (for connecting sensors)
- Internal CO2 sensor and humidity sensor
- ON/OFF switch (option)
- G4 and F7 filter sets

Controller

User interface



Microprocessor control unit with display for adjusting and displaying the individual control functions:

- Set value adjustment of the ventilation and extract air flow rate
- Fans ON / OFF
- Programmable pressure compensation or pressure balancing - i.e. generally over- or underpressure can be created deliberately via an adjustable value, if required, inside the accommodation
- Filter alarm on the display (filter service)
- Frost protection
- Displaying the selected values

Accessories

The following accessories can be connected directly to the unit:

- Smoke detector - this shuts down the fans in dangerous situations
- Humidity sensor - ensures automatically the extraction of a larger amount of air in case of excessive relative humidity (e.g. in the bathroom) (extraction)
- Air quality sensor - ensures that a larger amount of supply air is provided automatically in case of excessive CO₂ content (e.g. in the living room) (ventilation)
- Control of a booster heater bank (1000 W) - the booster heater bank heats the ventilation air to an adjustable value

Four-stage switch



Four-stage switch with LED

This illuminates when the filters need cleaning.

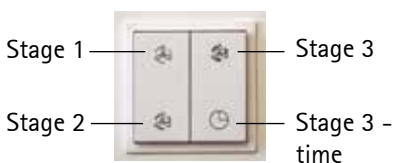
Position 1: Minimum ventilation, e.g. during absence (holiday)

Position 2: Reduced ventilation

Position 3: Basic ventilation corresponding to standard operation if the occupants are present

Position 4: Intensive ventilation, e.g. during a party, when there are visitors (high oxygen consumption)

Remote control



Wireless remote control with transmitter and receiver

Press at the top left

Fans turn at stage 1 (minimum ventilation)

Press at the bottom left

Fans turn at stage 2 (basic ventilation)

Press at the top right

Fans turn at stage 3 (intensive ventilation)

Press briefly at bottom right (< 1 s)

Fans turn at stage 3 for 15 min.; then the fans revert to stage 1

Press longer at bottom right

Fans turn at stage 3 for 30 min.; then the fans revert to stage 1



BM-2 programming unit

- Fixed time programs can be selected
- 3.5" colour display
- Easy user prompts on a plain text display
- Control by rotary selector with pushbutton function
- 4 function keys for frequently used functions
- microSD card slot for software updates
- Installation as a remote control in wall mounting base



Extension kit for additional functions

With connection options for air quality sensor, humidity sensor and booster heater bank



Air quality sensor

Mixed gas sensor to measure the air quality; output signal 0 - 10 V, power supply 24 V, extension kit for additional functions required for CWL-180 Excellent and CWL-F-300 Excellent



Humidity sensor

RH sensor to measure the relative humidity; output signal 0 - 10 V, power supply 24 V, extension kit for additional functions required for CWL-180 Excellent and CWL-F-300 Excellent



CO₂-sensor

required for CO₂-led operation, plug-in, as a reference value for the CO₂-based control output signal 0 - 10 V, power supply 24 V, extension kit for additional functions required for CWL-180 Excellent and CWL-F-300 Excellent



eBus CO₂ sensor flush mounted

for measuring the CO₂ content, output signal 0 - 10 V, power supply 24 V, extension kit for additional functions required for CWL-180 Excellent and CWL-F-300 Excellent



4-step switch with filter change indicator



Electric pre-heater bank or Electric booster heater bank
1000 W



ISM7e – external interface module

- LAN and WLAN interface module for wall mounting or mobile use
- Connection of Wolf heating appliances to the Wolf Smartset portal / app
- Mobile application for setting heating system parameters
- Power supply via power supply unit or USB

Comprising:

Interface module ISM7e, installation and operating instructions, eBus-cable, power supply unit, network cable

Note: Only used in conjunction with BM-2



KNX – external interface kit

Interface kit for integration of Wolf ventilation units into a KNX network

Comprising:

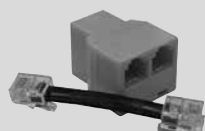
Interface module ISM8e, KNX-IP-BAOS module, Installation and operating instructions, network cable

Note: Only used in conjunction with BM-2



Mod-Bus – external interface kit

Interface kit for integration of Wolf ventilation units into a Mod-Bus network



Modular distributor RJ12

Comprising:

Cable and splitter



RH duct sensor,

for measuring relative humidity;

optional:

Connection set for RH duct sensor part no. 27 45 372

Reducer DN 180 to DN 200



CWL service tool

for easier programming

Free software can be found on our homepage



Ball trap

CWL Excellent

accessories



Condensate pumping station with potential-free alarm output, fully wired

Comprising:
Condensate pump with potential-free alarm output,
PVC hose 10 mm (6 m long), non-return valve,
condensate inlet adaptor

Summer cassette

Alternative to in-line heat exchangers
without heat recovery

Trap

Effective height 90 mm

Service set filter G4

2 pieces

Service set filter

1x grade G4 and 1x grade F7

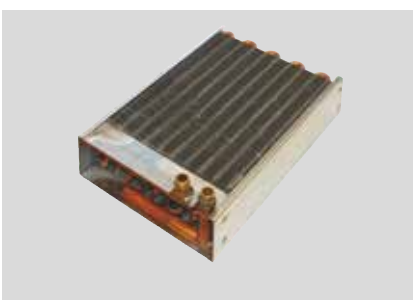
Enthalpy heat exchanger

for moisture recovery
Hygiene: AATCC - certificate (VDI 6022)
Degree of heat supply to EN 308: 78%
Humidity recovery 59%

Available for CWL-300/400 Excellent
CWL-F-300 Excellent

CWL-T Excellent

accessories



Hydraulic postheating element, max. 3 kW heating output
including flow valve with thermostatic head and remote sensor for installation in the
supply air ISO pipe in addition to automatic vent and corrugated stainless steel pipes

Function



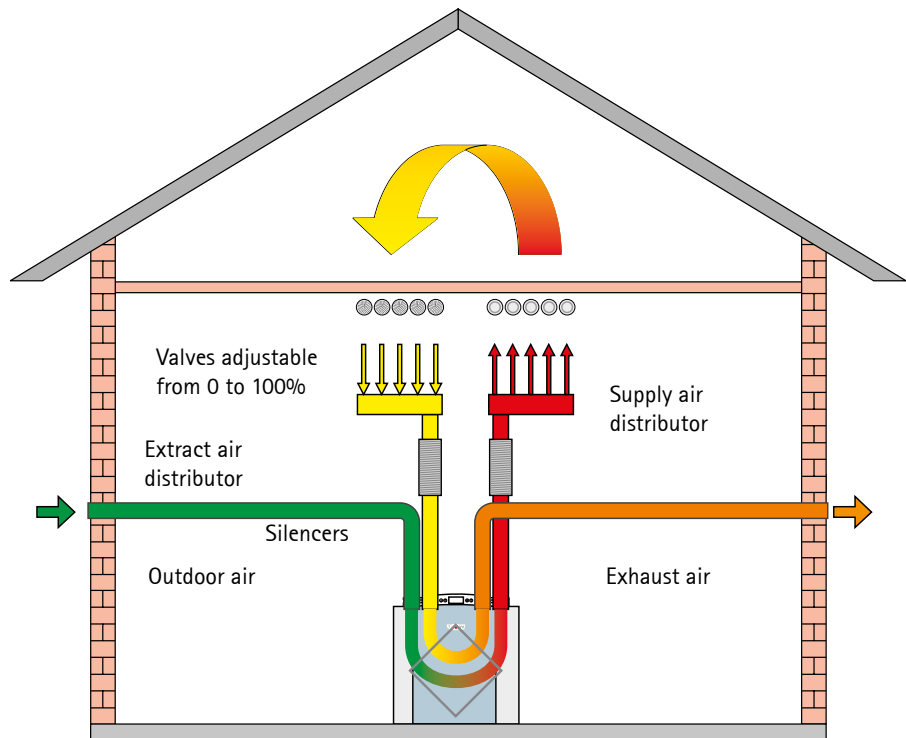
Air from the distributors to the valves routed in a hose system 75/63 or 63/52



Air routing from the distributor to the valves using flat duct system Excellent 50 x 100 or 50x140



Air for outside and expelled air and to the ventilation air and extract air distributor routed in ISO pipes DN 125/160/180.



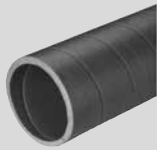
Technical properties ISO pipe

- Material density 50 kg/m³, anti-static
- Heat transfer coefficient 0.041 W/(m²K)
- Temperature range -40 °C to +60 °C
- Fire safety class B1 to DIN 4102-1 tested by the MPA Dortmund Institut
- Insulated roof outlet
- A special knife is offered for installation purposes
- Compliant with DIN 1946-6

ISO pipe CWL replaces the traditional folded spiral-seam tube with insulation with a readyinsulated round pipeline DN125, DN160 and DN180 made from vapour-proof EPE foam with reduced system costs. Perfectly matching pipe elements combined with insulated roof outlets for superior system benefits:

- Quick installation (savings in labour costs up to 70 % compared with folded spiral-seam tube)
- Consistent soundness of the pipework
- Consistent insulation (prevents the formation of condensate)
- Good sound insulation thanks to the relatively soft material
- Easy cleaning due to optimum smooth internal surface without edge
- Connection of profiles by means of smooth space- saving plug-in fem. connection
- Easy line inspection without dismantling through the plug-in fem. connection with tensioning toggle
- Visually and in function perfect, even after many years in use
- Wall thickness 16 mm = DN125, DN160, DN180

Components



ISO pipe CWL
2000mm long,
DN125
DN160
DN180



ISO pipe CWL bend 90° and 45°,
DN125
DN160
DN180



ISO pipe CWL tee,
DN125
DN160



ISO pipe CWL 45° Y-piece,
DN180



ISO pipe CWL Reducer,
DN 160/125
DN 180/125
DN 180/160



Locking ring
for joining pipes and profiles with anti-twist protection.
DN125
DN160
DN180



Fixing clamp for ISO pipe DN 180
DN125
DN160
DN180



Special knife
for trimming pipes to size. The special teeth facilitate a quick and clean cut.



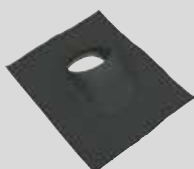
CWL roof outlet, thermally insulated
1159mm long
Color black or red DN125 and DN160
Color black DN180



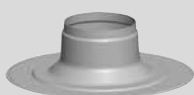
Ubbiflex high tack – glue
for fixing the CWL universal roof tile on tiles or roof



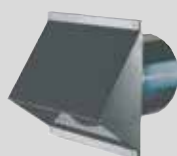
Sealing collar
for CWL roof outlet



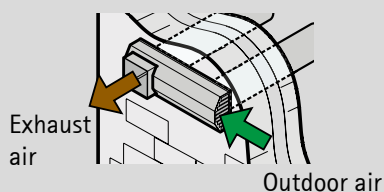
CWL universal roof tile 25° to 45°
Color black or red DN125 - DN180



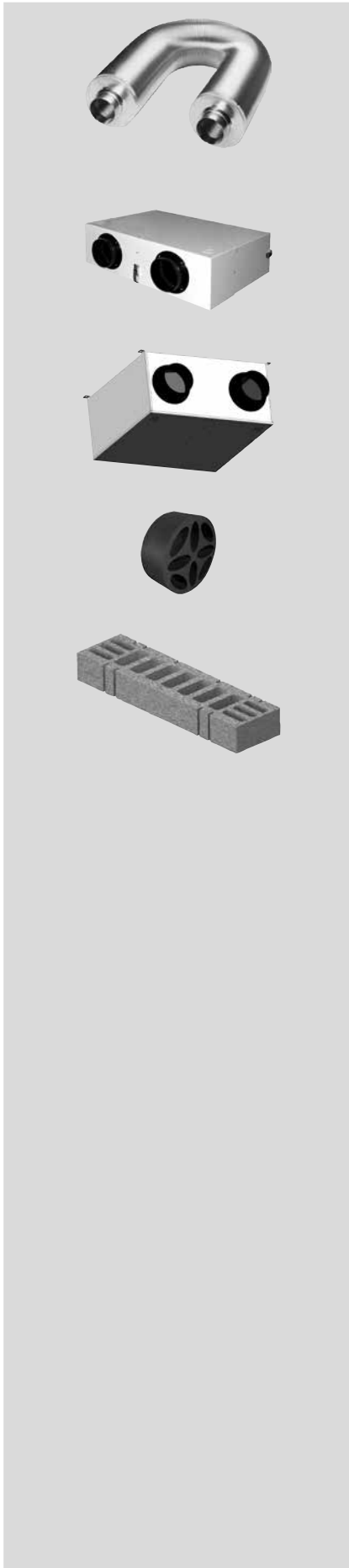
CWL flat roof outlet 0°
DN125 - DN180



CWL wall outlet with protective grille;
Color black or white
DN125
DN160
DN180



Double grille, for outdoor and exhaust air
DN125 for CWL-F-150 Excellent and CWL-180 Excellent
DN160 for CWL-F-300 Excellent and CWL-300 Excellent
Color white



Silencer, for supply or exhaust air
Length 1000mm

DN125, 50mm insulation
DN160, 50mm insulation
DN180, 50mm insulation

Silencer, DN125 for supply and exhaust air
insulation 482mm

Silencer, DN160 for supply and exhaust air
Length 600mm

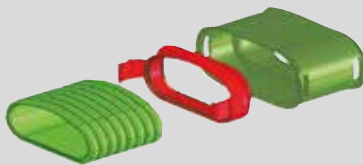
Silencer and flow rate controller
for connector DN 125

Silencer and flow rate controller
for floor grill connector

Flexible hose system round



Flat duct system



Flat duct system

Pipe system specially designed for ventilation systems for flexible routing across or in false ceilings.

Twin layer construction (smooth interior, corrugated exterior) ensures:

Excellent sound insulation through low flow resistance; high annular stability yet high level of flexibility; low weight; the flat duct system Excellent assures neutral smell and anti-bacterial performance (optional) due to environmentally-friendly material (PE) and the use of hygienically ideal virgin materials. Minimum dust deposits through anti-static internal skin (optinal) mark out both the flexible round hose system and the flat duct system Excellent. Hygienically perfect due to easy to clean special internal skin. Tested without measurable contaminant concentration in the air. Shorter installation times through easy processing without special tools; no waste through endless routing via click joints; direct routing on unfinished concrete, screed or in false ceilings; watertight and airtight to DIN EN 1610 through the use of seal rings at joints. With the flexible round hose system, two diameters are available (male:75/female:63 mm or male:63/female: 52 mm); the flat duct system Excellent is available in the 50 x 140mm size.

An optimum operation can be achieved when the flow rate inside the pipe is limited to approx. 3.0 m/s (low resistance).

The ventilation air and extract air valves can be preset when the maximum pipe length (15 m in a detached house) is known and the pressure drop details from the diagram are applied. This reduces the adjustment time considerably.

The flow rate is, relative to the recommendation of approx. 3.0 m/s:

Flexible hose system round:

single hose DN 63/52 approx. ± 20 m³/h

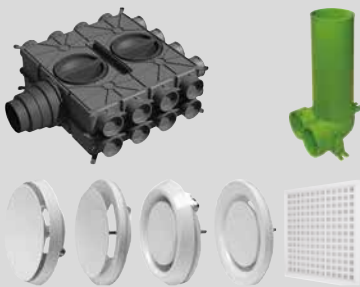
single hose DN 75/63 approx. ± 30 m³/h

Flat duct system Excellent:

single duct routing 50 x 100mm up to 30 m³/h

single duct routing 50 x 140mm up to 55m³/h

Routing information

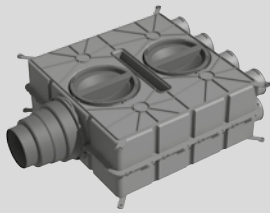


Various air distributors are available for supply and extract air distribution in the building. Supply and extract air valves are integrated into the hose system via the connectors.

The ventilation air and extract air lines, air distributors and connectors for the ventilation air and extract air valves are predominantly routed and installed on/above the ceiling and under the screed. The ventilation air and extract air valves may be installed either in the ceiling or the wall.

These components may also be routed and installed in false ceilings.

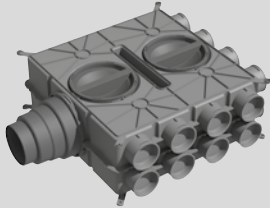
Air distributor for CWL Excellent



Air distributor, DN 125–180, plastic, for supply or extract air
8 connectors, DN 75 with 4 locking caps

An adaptor is required to connect hose or flat duct connections
DN 63, 50x100 and 50x140 to the air distributor.
For 50x140, max. 6 connections possible.

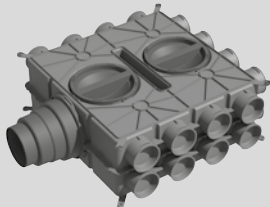
Note: Click and seal ring DN 75 required



Air distributor, DN 125–180, plastic, for supply or extract air
16 connectors, DN 75 with 8 locking caps

An adaptor is required to connect hose or flat duct connections
DN 63, 50x100 and 50x140 to the air distributor.
For 50x140, max. 12 connections possible.

Note: Click and seal ring DN 75 required



Air distributor, DN 125–180, plastic, for supply or extract air
24 connectors, DN 75 with 12 locking caps

An adaptor is required to connect hose or flat duct connections
DN 63, 50x100 and 50x140 to the air distributor.
For 50x140, max. 18 connections possible.

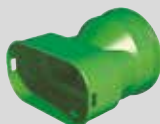
Note: Click and seal ring DN 75 required



Adaptor, DN 63

for connection to air distributor, DN 125–180, plastic

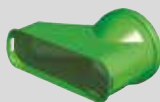
Note: Click and seal ring DN 63 required



Adaptor for flat duct 50x100

for connection to the air distributor, DN 125–180, plastic

Note: Seal ring 50x100 required



Adaptor for flat duct 50x140

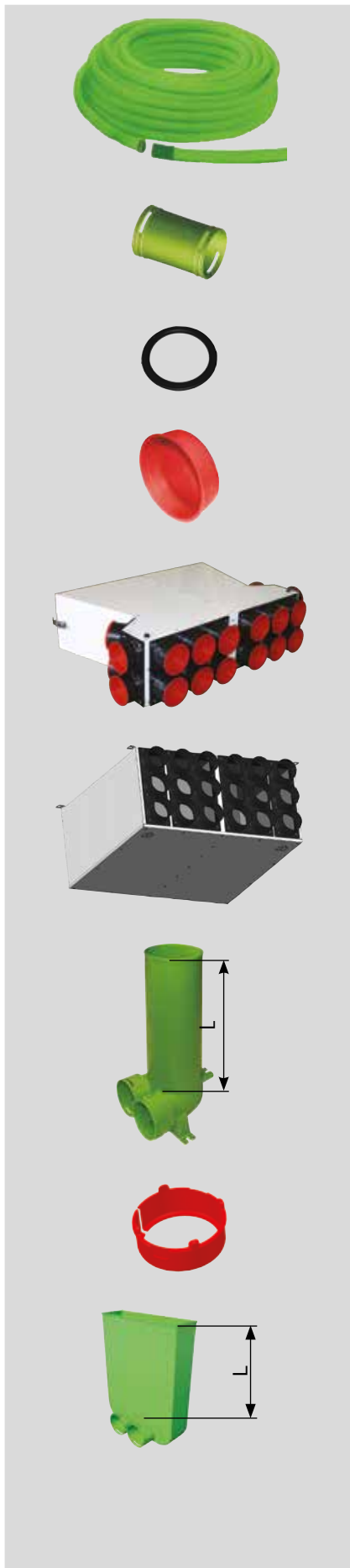
for connection to the air distributor, DN 125–180, plastic

Note: Seal ring 50x140 required



Restrictor, DN 75 for air distributor DN 125–180
plastic

Flexible hose system round



Air distribution hose

with smooth internal skin, anti-static

63/52, roll 50m

75/63, roll 50m

with smooth internal skin

63/52, roll 50m

75/63, roll 50m

Click joint for air distribution hose

anti-static and anti-bacterial

63/52

75/63

Seal ring

63/52, bag of 10 pce

75/63, bag of 10 pce

Pipe cap for

75 mm

63 mm

Air distributor, for supply and exhaust air for CWL-F-150 Excellent sound attenuating material to DIN 1946-6

DN125: 2x10 connectors 75/63 with 5 pipe caps for supply and exhaust air each

Air distributor, for supply and exhaust air for CWL-F-300 Excellent sound attenuating material to DIN 1946-6

DN160: 2x9 connectors 75/63 with 5 pipe caps for supply and exhaust air each

Connector for valve DN 125, one pipe cap and two pipe connectors

anti-static and anti-bacterial

63mm, L = 325mm

75mm, L = 325mm

Click ring, for round tube in conjunction with connector for valve DN 63/75mm

63/52, (bag of 10 pce)

75/63, (bag of 10 pce)

Connector for floor grille, one pipe cap and two pipe connectors

63mm, L = 350mm

75mm, L = 350mm

Flexible flat duct system



Flat duct

with smooth internal skin,
anti-static and anti-bacterial

50x100, roll 50m
50x140, roll 20m

Bend 90° CWL for flat duct
anti-static and anti-bacterial

50x100, Vertical
50x100, Horizontal
50x140, Vertical
50x140, Horizontal

Click joint for flat duct
anti-static und anti-bacterial

50x100
50x140

Seal ring for flat duct
anti-static and anti-bacterial

50x100, bag of 10 pce

Seal ring for flat duct
anti-static and anti-bacterial

50x140, Beutel 10 St.

Pipe cap for flat duct
anti-static and anti-bacterial

50x100, bag of 10 pce
50x140, bag of 10 pce

Connector for valve DN125,
two duct connections and one pipe cap
anti-static and anti-bacterial

Length L = 240mm

50x100 - 90°
50x140 - 90°

Connector for floor grille,
two duct connections and one pipe cap
anti-static and anti-bacterial

Length L = 220mm

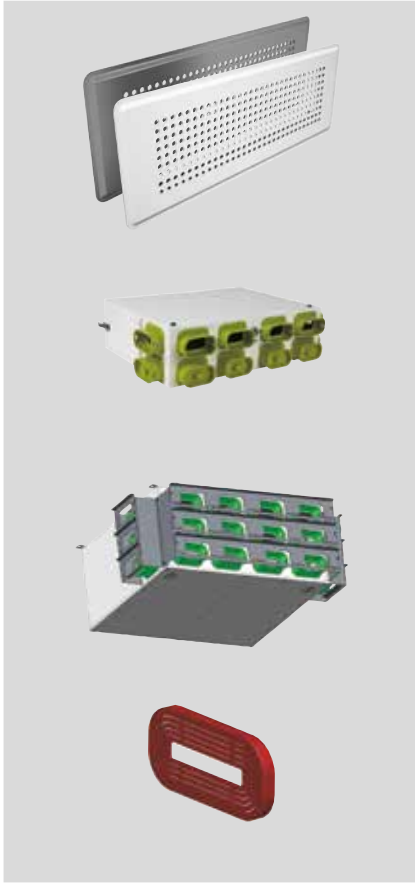
50x100 (two duct connections)

Connector for floor grille,
one duct connection and one pipe cap
anti-static and anti-bacterial beschichtet

Length L = 240mm

50x140 (one duct connection)

Flexible flat duct system



Floor grille, metal
white or stainless steel

Air distributor, for supply and exhaust air
sound attenuating material to DIN 1946-6
for CWL-F-150 Exellent

DN125: 2x6connectors 50x100 with 3 pipe caps for supply and exhaust air each

Air distributor, for supply and exhaust air
sound attenuating material to DIN 1946-6
for CWL-F-300 Exellent

DN160: 2x9connectors 50x100 with 3 pipe caps for supply and exhaust air each

Orifice plate for flat duct
anti-static and anti-bacterial
for CWL-F-150 Exellent

50x100, bag of 10 pce
60x130, bag of 10 pce

Accessories for flexible hose system and flat duct



Reducer 90° from DN75 round to flat duct 50x100
anti-static and anti-bacterial

Angle adaptor 2x round DN 75 on 1x flat duct 50x140

Universal clip for flat duct 50x100, 50x140 and
round tube Ø 63 mm and Ø 75 mm
10 pce

Supply / extract air valves



Supply air valve plastic DN 125

Supply air valve metal DN 125

Extract air valve plastic DN 125

Extract air valve metal DN 125

Filter bag for CWL extract air valves
5 pce

Supply air valve inductive DN 125

Filter mat G3 for kitchen extract air valve
5 pce



The comprehensive equipment range from system supplier Wolf offers the ideal solution for commercial and industrial buildings, for new build and for modernisation projects alike. The range of Wolf control units fulfils every need where heating convenience is concerned. The products are easy to operate, energy-efficient and reliable. Solar heating systems can be quickly integrated into existing systems. All Wolf products can be easily and rapidly commissioned and maintained.

Wolf GmbH, PO Box 1380, D-84048 Mainburg, Tel.: +49 87 51 / 74-0, Fax: +49 87 51 / 74-1600, Internet: www.wolf-heiztechnik.de

Dealer address



The competence brand for energy saving systems



Part-No. 4800712